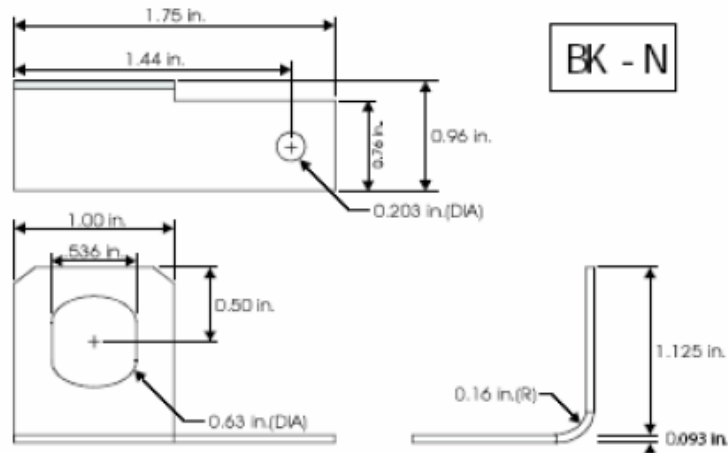
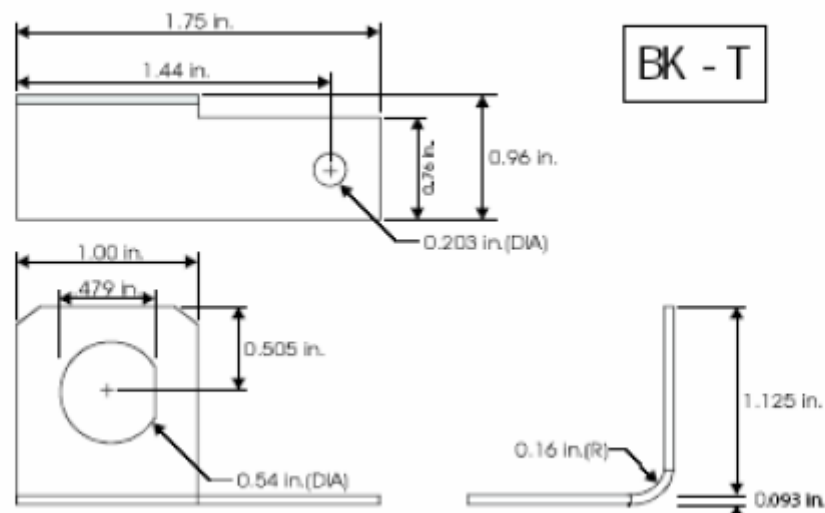


Mounting Brackets for P8AX Series

Used for N CONNECTORS

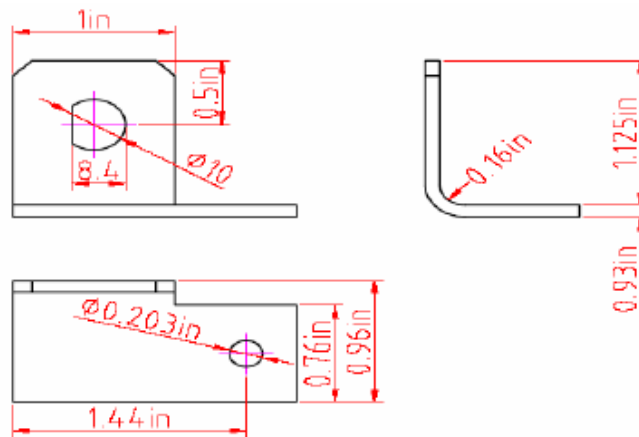


Used for TNC and BNC CONNECTORS



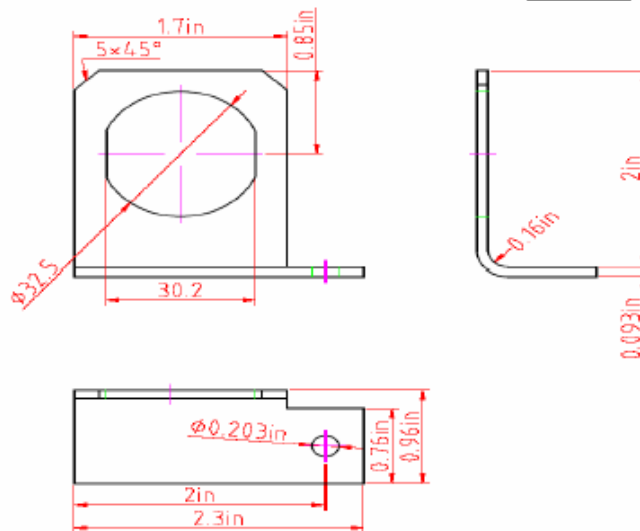
Used for F CONNECTORS

BK-F



Used for 7/16 (DIN) CONNECTORS

BK-D



Used for SMA CONNECTORS

BK-SMA

